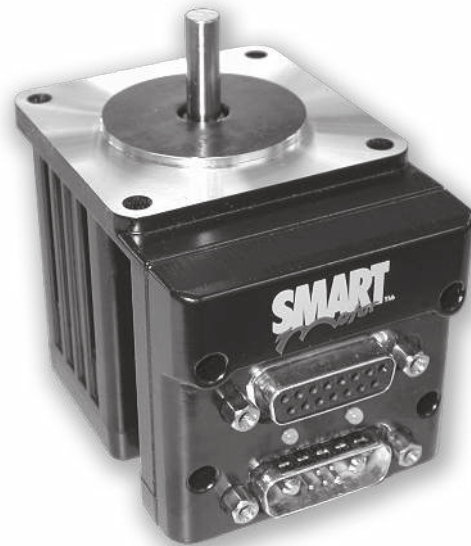


SM23165DT		
Continuous Torque	4.61	in-lb
	74	oz-in
	0.52	N-m
Peak Torque	7.40	in-lb
	118	oz-in
	0.84	N-m
Nominal Continuous Power	204	Watt
No Load Speed	5,200	RPM
Max. Continuous Current* @ 3800 RPM	5.074	Amps
Peak Power @ 3400 RPM	210	Watts
Voltage Constant	9.08	V/kRPM
Inductance	1.31	mH
Encoder Resolution	4,000	Counts/Rev
Rotor Inertia	0.001	oz-in-sec ²
	0.706	10 ⁻⁵ Kg-m ²
Weight	1.3	lb
	0.59	kg
Shaft Diameter	0.250	in
	6.35	mm
Shaft, Radial Load	7	lb
	3.18	kg
Shaft, Axial Thrust Load	3	lb
	1.36	kg
DeviceNet Available	Yes	
PROFIBUS Available	Yes	
CANopen Available	Yes	

*Default voltage is 48V. See graphs for additional voltages.



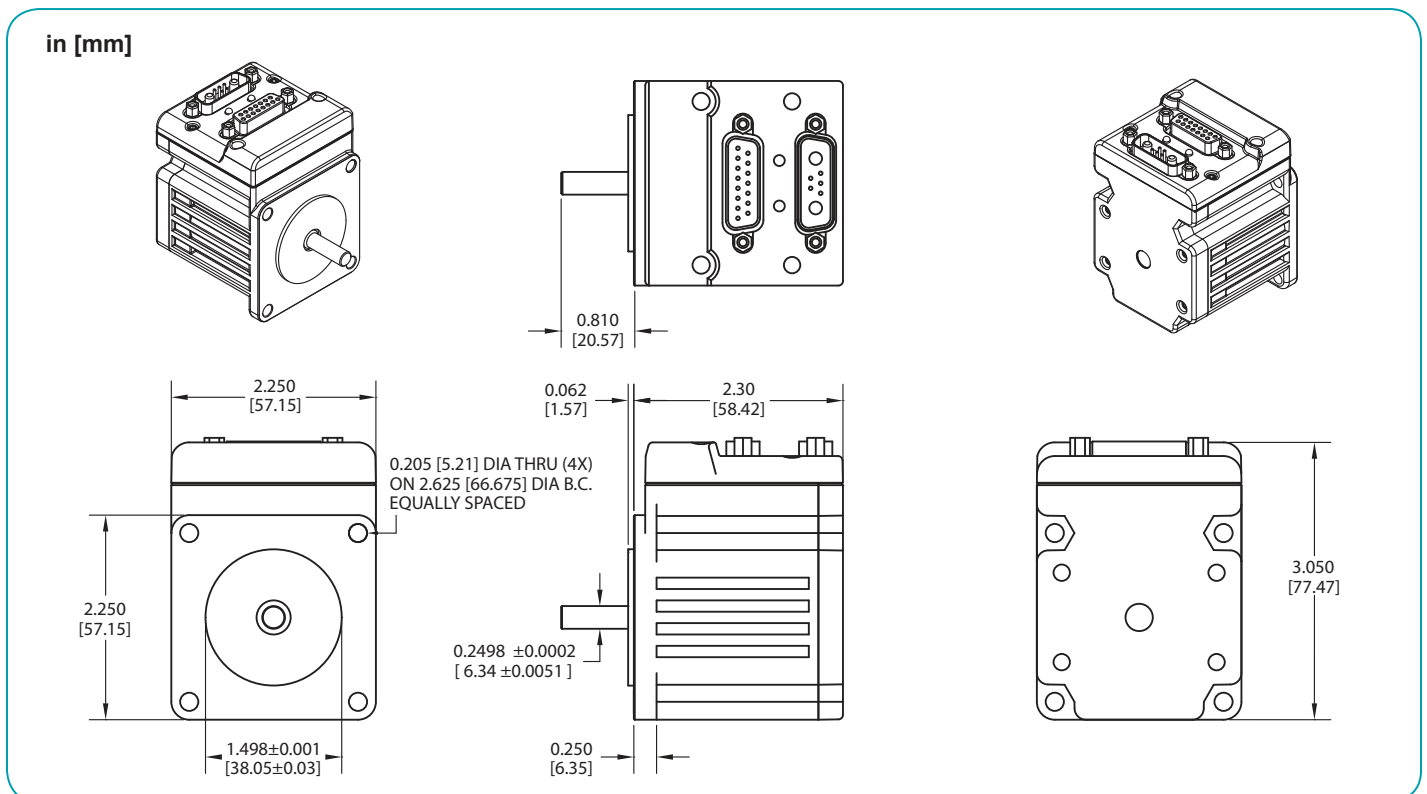
Operating temperature range: 0°C–85°C

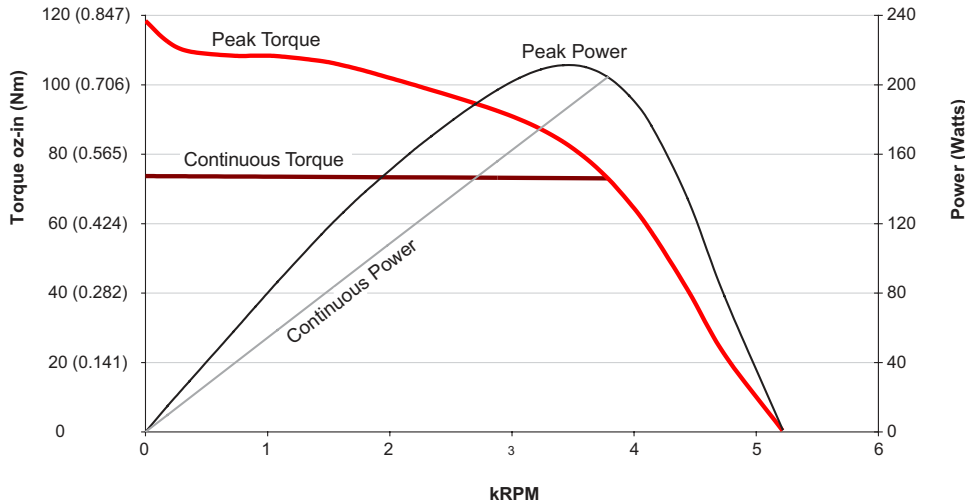
Storage temperature range: -10°C–85°C, noncondensing

NOTE: Motor specifications are subject to changes without notice. Consult website and factory for latest data.

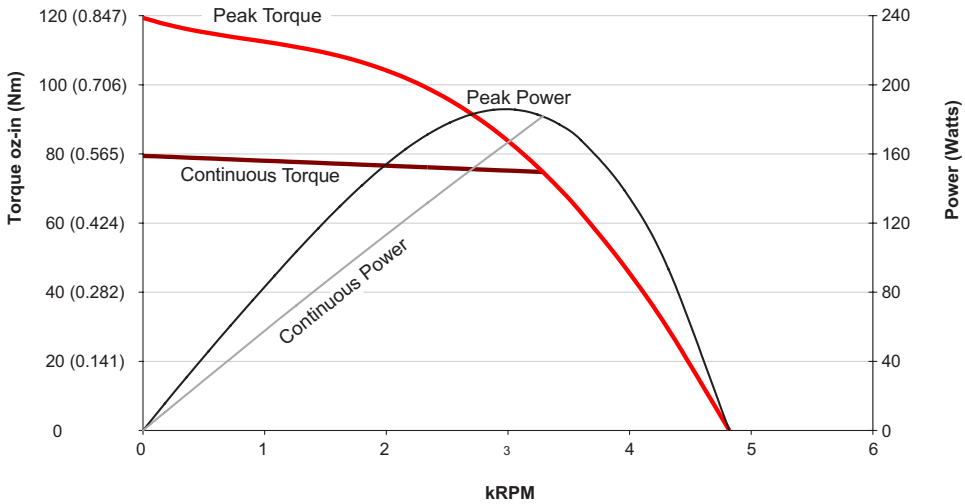


Moog Animatics SmartMotor™ SM23165DT (No Options) CAD Drawing

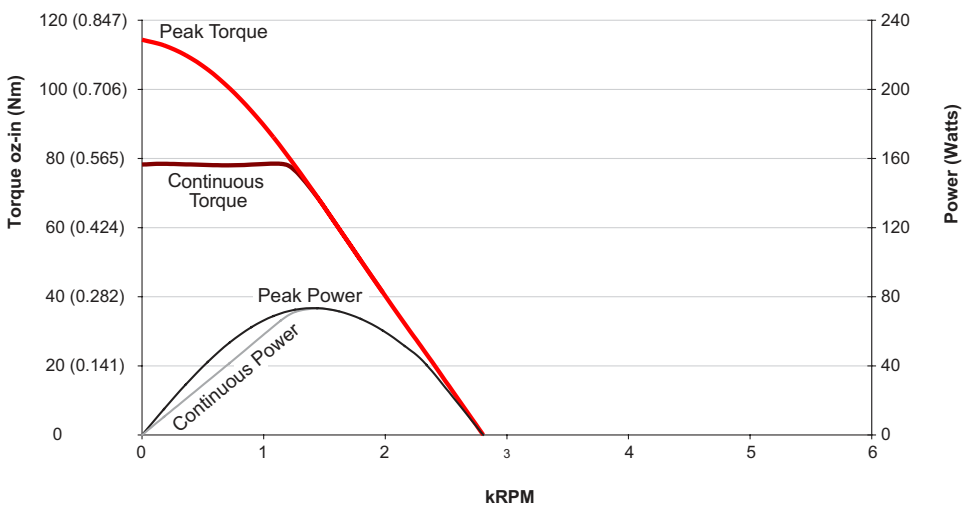




SM23165DT
at 48 VDC
at rise to 85°C



SM23165DT
at 42 VDC
at rise to 85°C



SM23165DT
at 24 VDC
at rise to 85°C

All torque curves based on 25°C ambient.
 Motors were operated using MDT (Trapezoidal Drive Mode) Commutation.
 For ambient temperatures above 25°C, Continuous Torque must be linearly derated to 0% at 85°C.